

SINKS

- 304 stainless steel with galvanized legs
- Well polished welded seams
- Die-stamped creased drainboards for positive drainage
- Curved corners & rolled edges
- Back splash with 45° return
- Equipped galvanized legs and adjustable ABS bullet feet
- OPTION:
 - Stainless steel legs
 - Stainless steel braces



TTS-2424-0



TDS-2424-0



TSS-2020-0



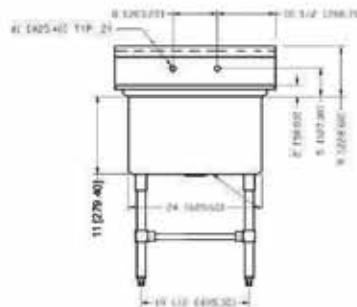
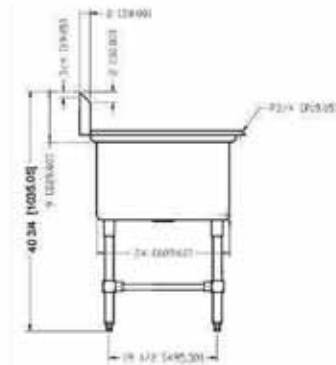
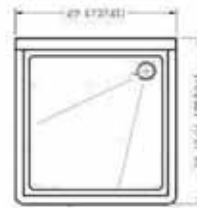
SPECIFICATIONS

Model	N° of compartment	Bowl Size			Overall Size			Other
		W	L	H	W	L	H	
TSS-1818-0	1	18	18	11	21.5	21.5	45	
TSS-2020-0	1	20	20	12	24	24	45	
TSS-2424-0	1	24	24	14	29	30	45	3-side brace support
TDS-1818-0	2	18	18	11	42	24	45	3-side brace support
TDS-2424-0	2	24	24	14	54	30	45	3-side brace support
TTS-1818-0	3	18	18	11	58	24	45	
TTS-2424-0	3	24	24	14	77	30	45	3-side brace support

* Design and specifications can change without prior notice for product improvement.



Die-stamped creased drainboards for positive drainage



TSS-2424-0

DISTRIBUTED BY:

WWW.DISTEX.CA

129 Montée de Liesse
 St-Laurent (QC) H4T 1T9
Tel: (800) 567-3620
 Fax: (514) 382-7837

6355 Danville Road, Unit 8
 Mississauga (ON) L5T 2L4
Tel: (888) 645-7324
 Fax: (905) 565-5992

9912 Lougheed Highway
 Burnaby (BC) V3J 1N3
Tel: (888) 655-3620
 Fax: (604) 444-3697